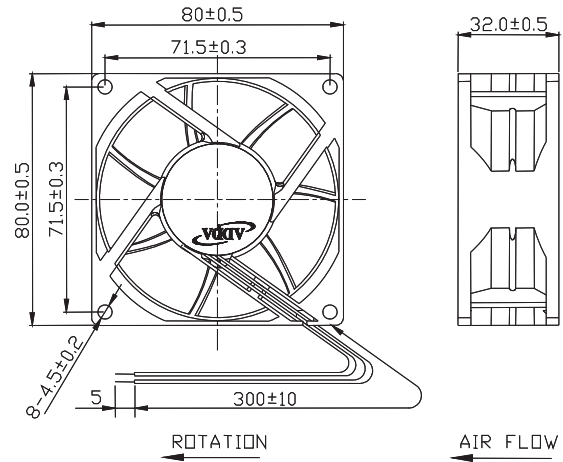




AD8032 SERIES

External Dimensions



Frame:Plastic(UL:94V-0)
 Impeller:Plastic(UL:94V-0)
 Lead wire:UL1007AWG24

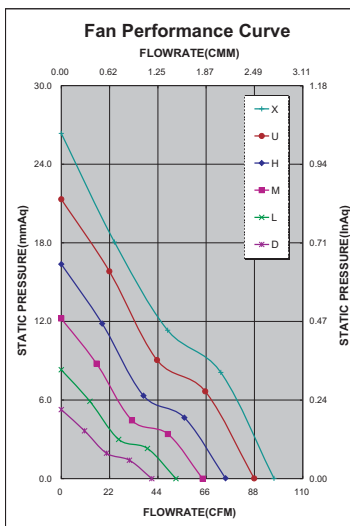
Specifications(Nominal)

*:Noise is measured at the distance of one (1) meter from the axis of intake.

Bearing type: ◎=Ball ※=Sleeve ○=1B1S ●=Hypro bearing

Frame size (mm)	Model No.	Bearing System Type	Rated Voltage (VDC)	Current (A)	Power (W)	Rated Speed (rpm)	Maximum AirFlow (CMM)	Maximum AirFlow (CFM)	Maximum Pressure (InAq)	Maximum Pressure (mmAq)	*Noise Level (dB/A)	Weight (g)
80x80x32	AD08012DB327B00	◎	12	0.13	1.56	3000	1.165	41.200	0.205	5.207	34.0	135.0
	AD08012LB327B00	◎	12	0.25	3.00	3800	1.477	52.200	0.320	8.128	40.4	
	AD08012MB327B00	◎	12	0.35	4.20	4600	1.822	64.400	0.480	12.192	45.6	
	AD08012HB327B00	◎	12	0.50	6.00	5400	2.116	74.800	0.640	16.256	50.2	
	AD08012UB327B00	◎	12	0.76	9.12	6200	2.487	87.900	0.840	21.336	53.5	
	AD08012XB327B00	◎	12	1.15	13.80	7000	2.745	97.000	1.040	26.416	58.0	

Specifications subject to change without notice.



*Motor protective circuit and third lead wire functions

0	1	2	3	4	6	7	8	9	A	B
	✓	✓	✓					✓		✓

*Safety approvals

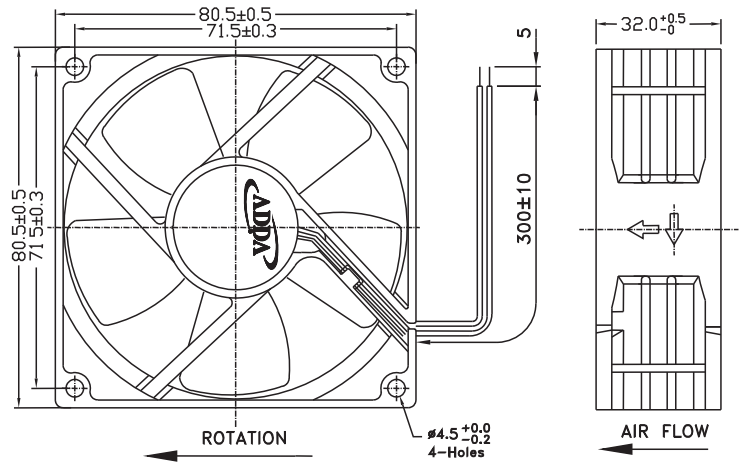
				✓



AD8032 SERIES



External Dimensions



Frame:Plastic(UL:94V-0)
 Impeller:Plastic(UL:94V-0)
 Lead wire:UL1007AWG24

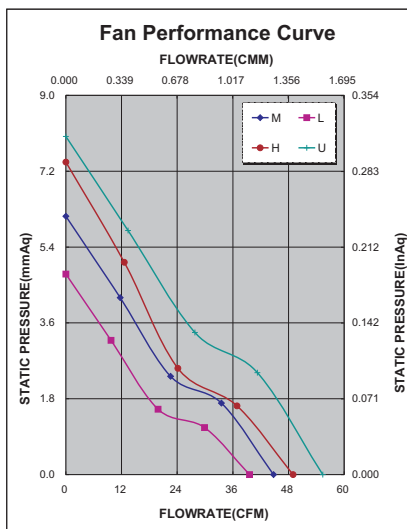
Specifications(Nominal)

*:Noise is measured at the distance of one (1) meter from the axis of intake.

Bearing type: ◎=Ball ※=Sleeve ○=1B1S ●=Hypro bearing

Frame size (mm)	Model No.	Bearing System Type	Rated Voltage (VDC)	Current (A)	Power (W)	Rated Speed (rpm)	Maximum AirFlow (CMM)	Maximum AirFlow (CFM)	Maximum Pressure (InAq)	Maximum Pressure (mmAq)	*Noise Level (dB/A)	Weight (g)
80x80x32	AD0812LB-Y51(N)	◎	12	0.11	1.32	3000	1.120	39.578	0.187	4.749	35.5	108.0
	AD0812MB-Y51(N)	◎	12	0.16	1.92	3400	1.266	44.764	0.241	6.121	36.7	
	AD0812HB-Y51(N)	◎	12	0.19	2.28	3800	1.414	49.998	0.292	7.416	42.4	
	AD0812UB-Y51(NCU)	◎	12	0.23	2.76	4200	1.567	55.386	0.316	8.026	44.0	
	AD0824LB-Y51(N)	◎	24	0.07	1.68	3000	1.120	39.578	0.187	4.749	35.5	
	AD0824MB-Y51(N)	◎	24	0.10	2.40	3400	1.266	44.764	0.241	6.121	36.7	
	AD0824HB-Y51(N)	◎	24	0.12	2.88	3800	1.414	49.998	0.292	7.416	42.4	
	AD0824UB-Y51(NCU)	◎	24	0.15	3.60	4200	1.567	55.386	0.316	8.026	44.0	
	AD0848LB-Y51	◎	48	0.06	2.88	3000	1.120	39.578	0.187	4.749	35.5	
	AD0848MB-Y51	◎	48	0.07	3.36	3400	1.266	44.764	0.241	6.121	36.7	
	AD0848HB-Y51	◎	48	0.08	3.84	3800	1.414	49.998	0.292	7.416	42.4	
	AD0848UB-Y51(CU)	◎	48	0.11	5.28	4200	1.567	55.386	0.316	8.026	44.0	

Specifications subject to change without notice.



*Motor protective circuit and third lead wire functions

0	1	2	3	4	6	7	8	9	A	B
	✓	✓	✓							

*Safety approvals

✓	✓		✓	✓