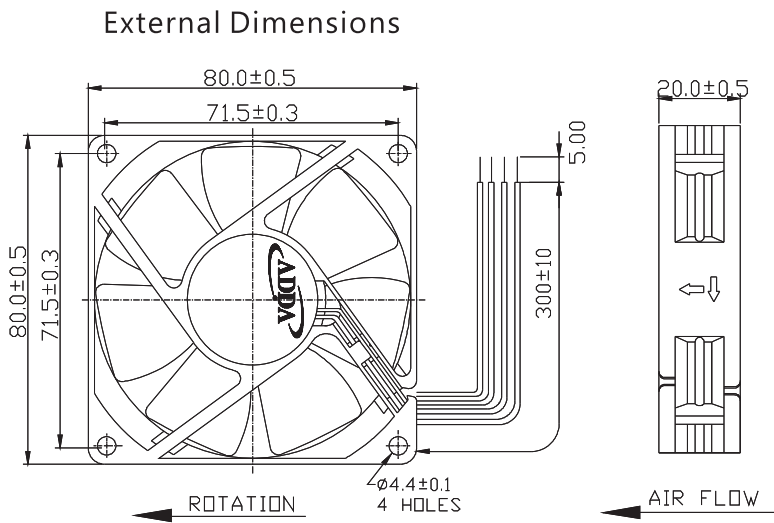


AD8020 SERIES



Frame:Plastic(UL:94V-0)
 Impeller:Plastic(UL:94V-0)
 Lead wire:UL1061AWG26

Specifications(Nominal)

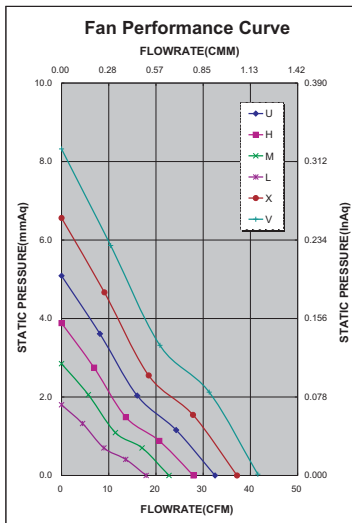
*:Noise is measured at the distance of one (1) meter from the axis of intake.

Bearing type: ◎=Ball ※=Sleeve ○=1B1S ●=Hypro bearing

Frame size (mm)	Model No.	Bearing System Type	Rated Voltage (VDC)	Current (A)	Power (W)	Rated Speed (rpm)	Maximum AirFlow (CMM)	Maximum AirFlow (CFM)	Maximum Pressure (InAq)	Maximum Pressure (mmAq)	*Noise Level (dB/A)	Weight (g)
80x80x20	AD0812LB-C7B	◎ ※ ●	12	0.09	1.08	2000	0.506	17.910	0.071	1.803	22.9	69.0
	AD0812MB-C7B	◎ ※ ●	12	0.12	1.44	2500	0.644	22.775	0.112	2.844	28.4	
	AD0812HB-C7B	◎ ※ ●	12	0.15	1.80	3000	0.792	28.000	0.150	3.810	33.0	
	AD0812UB-C7B	◎ ※ ●	12	0.20	2.40	3500	0.919	32.500	0.200	5.080	37.5	
	AD0812XB-C7B	◎ ※ ●	12	0.25	3.00	4000	1.051	37.172	0.258	6.553	41.0	
	AD0812VB-C7B	◎ ※ ●	12	0.32	3.84	4500	1.176	41.573	0.327	8.305	45.0	

Specifications subject to change without notice.

The specification for bearing type is for reference only , for more bearing types information, please contact with your ADDA sales representative, thanks!!
 (網頁上呈現產品軸承資訊均以2Ball為主，若需其他產品資訊請聯絡您在ADDA的業務代表，謝謝！！)



*Motor protective circuit and third lead wire functions

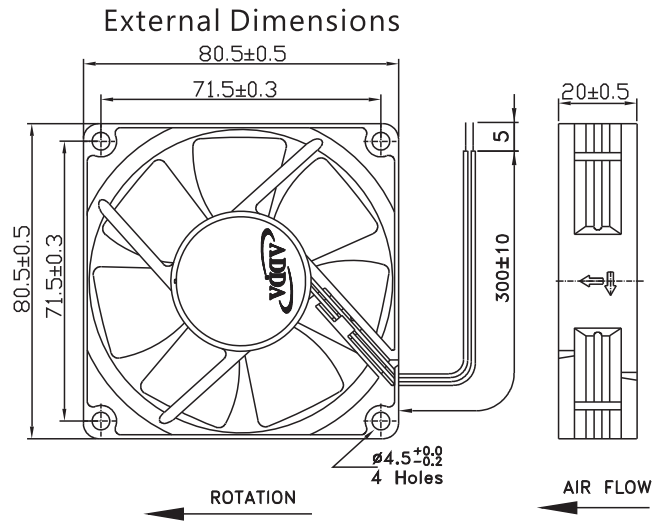
0	1	2	3	4	6	7	8	9	A	B
								✓		✓

*Safety approvals

✓	✓		✓	✓



AD8020(T) SERIES



Frame:Plastic(UL:94V-0)
 Impeller:Plastic(UL:94V-0)
 Lead wire:UL1007AWG24

Specifications(Nominal)

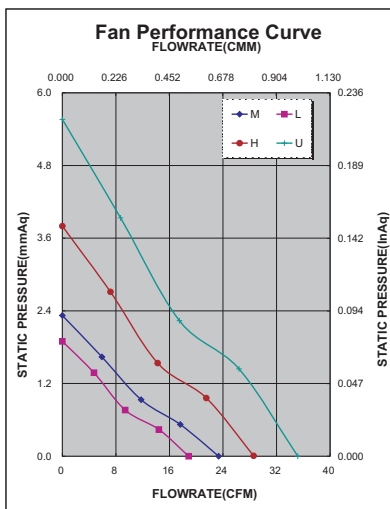
*Noise is measured at the distance of one (1) meter from the axis of intake.

Bearing type: ◎=Ball ※=Sleeve ○=1B1S ●=Hypro bearing

Frame size (mm)	Model No.	Bearing System Type	Rated Voltage (VDC)	Current (A)	Power (W)	Rated Speed (rpm)	Maximum AirFlow (CMM)	Maximum AirFlow (CFM)	Maximum Pressure (InAq)	Maximum Pressure (mmAq)	*Noise Level (dB/A)	Weight (g)
80x80x20	AD0812LB-C70(T)	◎ ※ ●	12	0.06	0.72	2100	0.533	18.863	0.074	1.879	23.8	68.0
	AD0812MB-C70(T)	◎ ※ ●	12	0.08	0.96	2500	0.660	23.345	0.091	2.311	27.4	
	AD0812HB-C70(T)	◎ ※ ●	12	0.13	1.56	3100	0.808	28.572	0.149	3.784	34.9	
	AD0812UB-C70(T)	◎ ※ ●	12	0.22	2.64	3750	0.995	35.168	0.218	5.537	40.1	
	AD0824MB-C70(T)	◎ ※ ●	24	0.04	0.96	2500	0.660	23.345	0.091	2.311	27.4	
	AD0824HB-C70(T)	◎ ※ ●	24	0.06	1.44	3100	0.808	28.572	0.149	3.784	34.9	

Specifications subject to change without notice.

The specification for bearing type is for reference only , for more bearing types information, please contact with your ADDA sales representative, thanks!! (網頁上呈現產品軸承資訊均以2Ball為主，若需其他產品資訊請聯絡您在ADDA的業務代表，謝謝！)



*Motor protective circuit and third lead wire functions

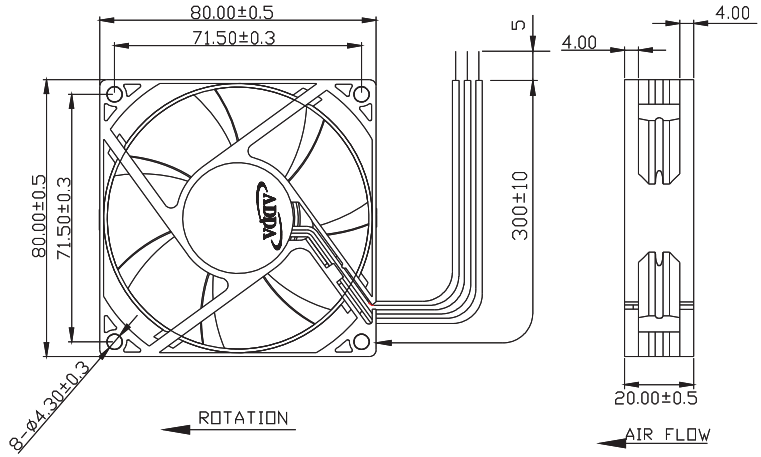
0	1	2	3	4	6	7	8	9	A	B
✓					✓					

*Safety approvals

✓	✓	✓	✓	✓

AD08020 SERIES

External Dimensions



Frame:Plastic(UL:94V-0)
 Impeller:Plastic(UL:94V-0)
 Lead wire:UL1061AWG26

Specifications(Nominal)

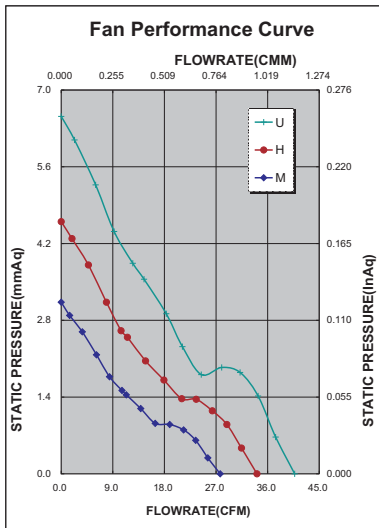
*Noise is measured at the distance of one (1) meter from the axis of intake.

Bearing type: ○=Ball ※=Sleeve ◯=1B1S ●=Hypro bearing

Frame size (mm)	Model No.	Bearing System Type	Rated Voltage (VDC)	Current (A)	Power (W)	Rated Speed (rpm)	Maximum AirFlow (CMM)	Maximum AirFlow (CFM)	Maximum Pressure (InAq)	Maximum Pressure (mmAq)	*Noise Level (dB/A)	Weight (g)
80x80x20	AD08012MX207000	※ ●	12	0.08	0.96	2500	0.784	27.720	0.123	3.124	26.9	75.0
	AD08012HX207000	※ ●	12	0.12	1.44	3000	0.966	34.130	0.181	4.597	33.1	
	AD08012UX207000	※ ●	12	0.22	2.64	3600	1.151	40.700	0.256	6.502	38.3	

Specifications subject to change without notice.

The specification for bearing type is for reference only , for more bearing types information, please contact with your ADDA sales representative, thanks!!
 (網頁上呈現產品軸承資訊均以2Ball為主, 若需其他產品資訊請聯絡您在ADDA的業務代表, 謝謝!!)



*Motor protective circuit and third lead wire functions

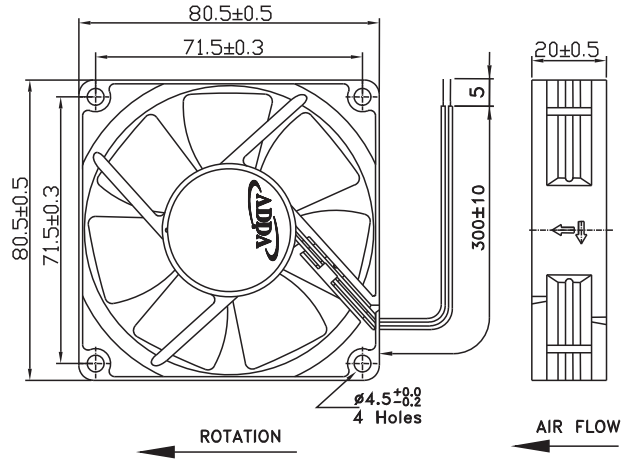
0	1	2	3	4	6	7	8	9	A	B
✓					✓					

*Safety approvals

✓	✓		✓	✓

AD8020 SERIES

External Dimensions



Frame:Plastic(UL:94V-0)
 Impeller:Plastic(UL:94V-0)
 Lead wire:UL1007AWG24

Specifications(Nominal)

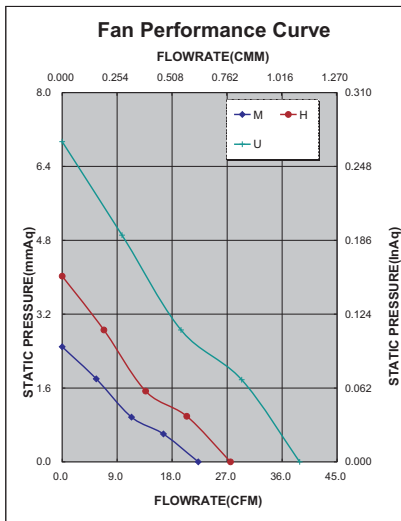
*Noise is measured at the distance of one (1) meter from the axis of intake.

Bearing type: ◎=Ball ※=Sleeve ○=1B1S ●=Hypro bearing

Frame size (mm)	Model No.	Bearing System Type	Rated Voltage (VDC)	Current (A)	Power (W)	Rated Speed (rpm)	Maximum AirFlow (CMM)	Maximum AirFlow (CFM)	Maximum Pressure (InAq)	Maximum Pressure (mmAq)	*Noise Level (dB/A)	Weight (g)
80x80x20	AD0805MB-C71(N)	◎ ※ ●	5	0.17	0.85	2440	0.630	22.268	0.098	2.494	28.1	68.0
	AD0805HB-C71(N)	◎ ※ ●	5	0.24	1.20	3000	0.780	27.552	0.158	4.022	34.0	
	AD0812MB-C71(N)	◎ ※ ●	12	0.07	0.84	2440	0.630	22.268	0.098	2.494	28.1	
	AD0812HB-C71(N)	◎ ※ ●	12	0.13	1.56	3000	0.780	27.552	0.158	4.022	34.0	
	AD0812UB-C71(N)	◎ ※ ●	12	0.25	3.00	4200	1.100	38.886	0.273	6.934	43.5	
	AD0824HB-C71(N)	◎ ※ ●	24	0.07	1.68	3000	0.780	27.552	0.158	4.022	34.0	

Specifications subject to change without notice.

The specification for bearing type is for reference only , for more bearing types information, please contact with your ADDA sales representative, thanks!!
 (網頁上呈現產品軸承資訊均以2Ball為主，若需其他產品資訊請聯絡您在ADDA的業務代表，謝謝！！)



*Motor protective circuit and third lead wire functions

0	1	2	3	4	6	7	8	9	A	B
	✓	✓	✓							

*Safety approvals

✓	✓	✓	✓	✓