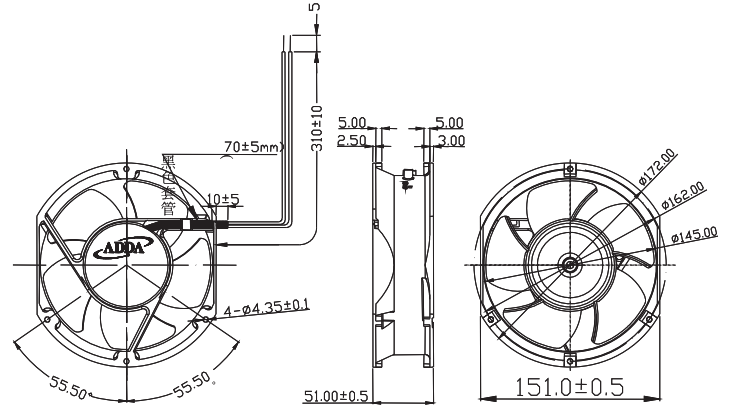




AD17251 SERIES

External Dimensions



Frame: Aluminum Alloy
 Impeller: Plastic (UL:94V-0)
 Lead wire: UL1061AWG22

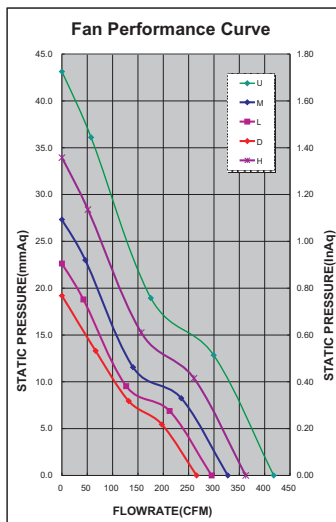
Specifications(Nominal)

*Noise is measured at the distance of one (1) meter from the axis of intake.

Bearing type: ○=Ball ※=Sleeve ◯=1B1S ●=Hypro bearing

| Frame size (mm) | Model No. | Bearing System Type | Rated Voltage (VDC) | Current (A) | Power (W) | Rated Speed (rpm) | Maximum AirFlow (CMM) | Maximum AirFlow (CFM) | Maximum Pressure (InAq) | Maximum Pressure (mmAq) | *Noise Level (dB/A) | Weight (g) |
|-----------------|----------------------|---------------------|---------------------|-------------|-----------|-------------------|-----------------------|-----------------------|-------------------------|-------------------------|---------------------|------------|
| 172x150x51 | AD17212DB5151M0(0CW) | ○ | 12 | 1.55 | 18.60 | 3500 | 7.500 | 265.00 | 0.750 | 19.00 | 58.8 | 762.0 |
| | AD17212LB5151M0(0CW) | ○ | 12 | 2.30 | 27.60 | 3900 | 8.350 | 295.00 | 0.890 | 22.60 | 60.6 | |
| | AD17224DB5151M0(0CW) | ○ | 24 | 0.80 | 19.20 | 3500 | 7.500 | 265.00 | 0.750 | 19.00 | 58.8 | |
| | AD17224LB5151M0(0CW) | ○ | 24 | 1.10 | 26.40 | 3900 | 8.350 | 295.00 | 0.890 | 22.60 | 60.6 | |
| | AD17224MB5151M0(0CW) | ○ | 24 | 1.45 | 34.80 | 4300 | 9.250 | 327.00 | 1.070 | 27.30 | 64.0 | |
| | AD17224HB5151M0(0CW) | ○ | 24 | 2.00 | 48.00 | 4800 | 10.240 | 362.00 | 1.330 | 33.90 | 65.7 | |
| | AD17224UB5151M0(0CW) | ○ | 24 | 2.60 | 62.40 | 5300 | 11.800 | 417.00 | 1.690 | 43.00 | 67.9 | |
| | AD17248DB5151M0(0CW) | ○ | 48 | 0.40 | 19.20 | 3500 | 7.500 | 265.00 | 0.750 | 19.00 | 58.8 | |
| | AD17248LB5151M0(0CW) | ○ | 48 | 0.57 | 27.36 | 3900 | 8.350 | 295.00 | 0.890 | 22.60 | 60.6 | |
| | AD17248MB5151M0(0CW) | ○ | 48 | 0.70 | 33.60 | 4300 | 9.250 | 327.00 | 1.070 | 27.30 | 64.0 | |
| | AD17248HB5151M0(0CW) | ○ | 48 | 0.95 | 45.60 | 4800 | 10.240 | 362.00 | 1.330 | 33.90 | 65.7 | |
| | AD17248UB5151M0(0CW) | ○ | 48 | 1.25 | 60.00 | 5300 | 11.800 | 417.00 | 1.690 | 43.00 | 67.9 | |

Specifications subject to change without notice.



*Motor protective circuit and third lead wire functions

| 0 | 1 | 2 | 3 | 4 | 6 | 7 | 8 | 9 | A | B |
|---|---|---|---|---|---|---|---|---|---|---|
| | ✓ | ✓ | ✓ | | | | | ✓ | | ✓ |

*Safety approvals

| | | | | |
|--|--|--|--|---|
| | | | | |
| | | | | ✓ |