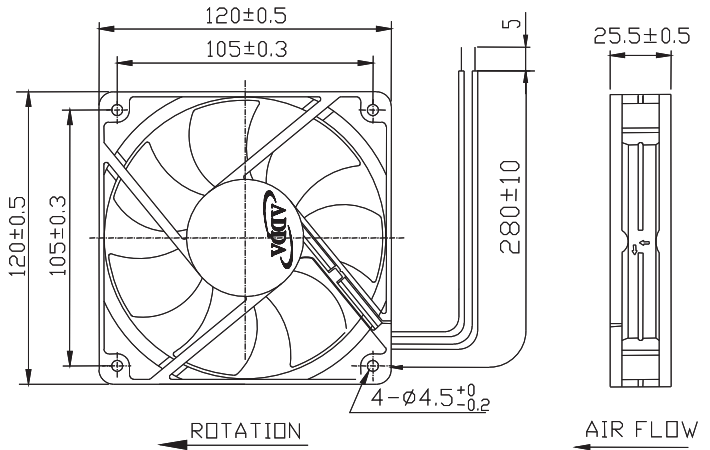




### External Dimensions



Frame:Plastic(UL:94V-0)  
 Impeller:Plastic(UL:94V-0)  
 Lead wire:UL1007AWG24

### Specifications(Nominal)

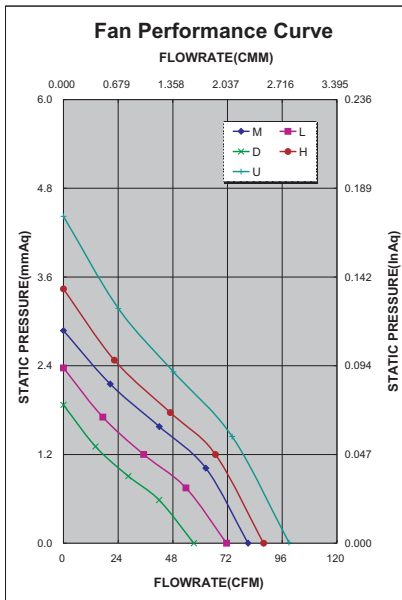
\*Noise is measured at the distance of one (1) meter from the axis of intake.

Bearing type: ◎=Ball ※=Sleeve ○=1B1S ●=Hypro bearing

Frame size (mm)	Model No.	Bearing System Type	Rated Voltage (VDC)	Current (A)	Power (W)	Rated Speed (rpm)	Maximum AirFlow (CMM)	Maximum AirFlow (CFM)	Maximum Pressure (InAq)	Maximum Pressure (mmAq)	*Noise Level (dB/A)	Weight (g)
120x120x25	AD1212DB-A71GL	◎ ※ ●	12	0.11	1.32	1500	1.618	57.205	0.074	1.879	27.2	156.0
	AD1212LB-A71GL	◎ ※ ●	12	0.15	1.80	1800	2.032	71.806	0.093	2.362	34.4	
	AD1212MB-A71GL	◎ ※ ●	12	0.16	1.92	2050	2.293	81.054	0.113	2.870	38.0	
	AD1212HB-A71GL	◎ ※ ●	12	0.29	3.48	2200	2.486	87.870	0.134	3.403	39.1	
	AD1212UB-A71GL	◎ ※ ●	12	0.39	4.68	2500	2.800	98.965	0.174	4.419	43.3	
	AD1224DB-A71GL	◎ ※ ●	24	0.07	1.68	1500	1.618	57.205	0.074	1.879	27.2	
	AD1224LB-A71GL	◎ ※ ●	24	0.10	2.40	1800	2.032	71.806	0.093	2.362	34.4	
	AD1224MB-A71GL	◎ ※ ●	24	0.13	3.12	2050	2.293	81.054	0.113	2.870	38.0	
	AD1224HB-A71GL	◎ ※ ●	24	0.13	3.12	2200	2.486	87.870	0.134	3.403	39.1	
	AD1224UB-A71GL	◎ ※ ●	24	0.19	4.56	2500	2.800	98.965	0.174	4.419	43.3	
	AD1248HB-A71GL	◎ ※ ●	48	0.10	4.80	2200	2.486	87.870	0.134	3.403	39.1	
	AD1248UB-A71GL	◎ ※ ●	48	0.12	5.76	2500	2.800	98.965	0.174	4.419	43.3	

Specifications subject to change without notice.

The specification for bearing type is for reference only, for more bearing types information, please contact with your ADDA sales representative, thanks!!  
 (網頁上呈現產品軸承資訊均以2Ball為主, 若需其他產品資訊請聯絡您在ADDA的業務代表, 謝謝!!)



\*Motor protective circuit and third lead wire functions

0	1	2	3	4	6	7	8	9	A	B
✓	✓	✓	✓	✓	✓		✓	✓		✓

\*Safety approvals

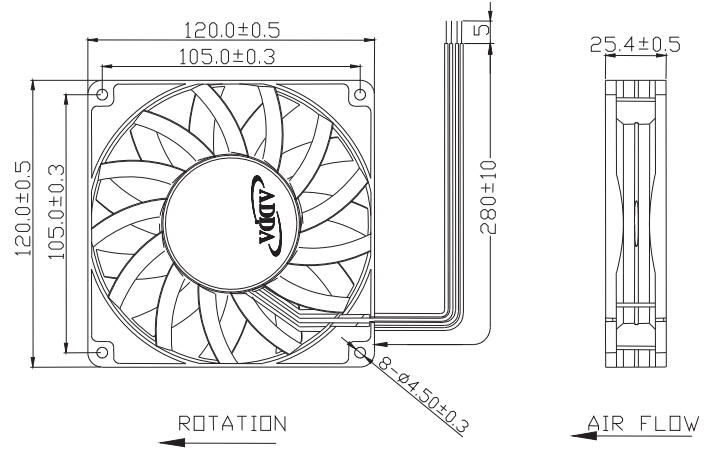
✓	✓		✓	✓



# AS12025 SERIES



## External Dimensions



Frame:Plastic(UL:94V-0)  
 Impeller:Plastic(UL:94V-0)  
 Lead wire:UL1007AWG24

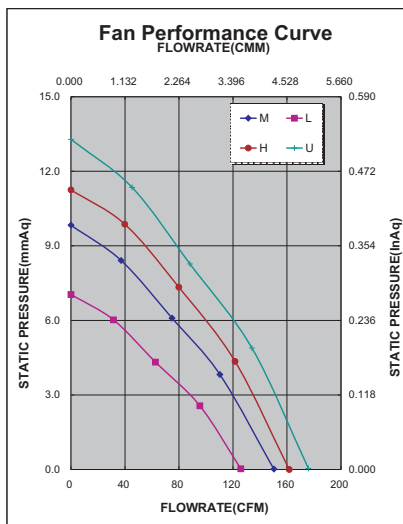
## Specifications(Nominal)

\*:Noise is measured at the distance of one (1) meter from the axis of intake.

Bearing type: ⊙=Ball ⊛=Sleeve ○=1B1S ●=Hypro bearing

Frame size (mm)	Model No.	Bearing System Type	Rated Voltage (VDC)	Current (A)	Power (W)	Rated Speed (rpm)	Maximum AirFlow (CMM)	Maximum AirFlow (CFM)	Maximum Pressure (InAq)	Maximum Pressure (mmAq)	*Noise Level (dB/A)	Weight (g)
120x120x25	AS12012LB25A100	⊙	12	0.66	7.92	2900	3.560	125.817	0.277	7.035	51.0	220.0
	AS12012MB25A100	⊙	12	0.84	10.08	3400	4.266	150.766	0.387	9.829	54.7	
	AS12012HB25A100	⊙	12	1.06	12.72	3700	4.570	161.505	0.443	11.252	57.8	
	AS12012UB25A100	⊙	12	1.42	17.04	4000	4.977	175.895	0.523	13.284	58.6	
	AS12024LB25A100	⊙	24	0.28	6.72	2900	3.560	125.817	0.277	7.035	51.0	
	AS12024MB25A100	⊙	24	0.43	10.32	3400	4.266	150.766	0.387	9.829	54.7	
	AS12024HB25A100	⊙	24	0.55	13.20	3700	4.570	161.505	0.443	11.252	57.8	
	AS12024UB25A100	⊙	24	0.71	17.04	4000	4.977	175.895	0.523	13.284	58.6	
	AS12048LB25A100	⊙	48	0.17	8.16	2900	3.560	125.817	0.277	7.035	51.0	
	AS12048MB25A100	⊙	48	0.23	11.04	3400	4.266	150.766	0.387	9.829	54.7	
AS12048HB25A100	⊙	48	0.30	14.40	3700	4.570	161.505	0.443	11.252	57.8		
AS12048UB25A100	⊙	48	0.37	17.76	4000	4.977	175.895	0.523	13.284	58.6		

Specifications subject to change without notice.



\*Motor protective circuit and third lead wire functions

0	1	2	3	4	6	7	8	9	A	B
	✓		✓					✓		✓

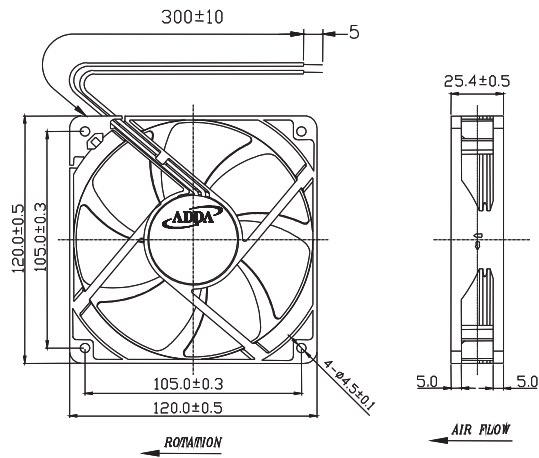
\*Safety approvals

✓	✓		✓	✓



# AG12025 SERIES

## External Dimensions



Frame:Plastic(UL:94V-0)  
Impeller:Plastic(UL:94V-0)  
Lead wire:UL1007AWG24

## Specifications(Nominal)

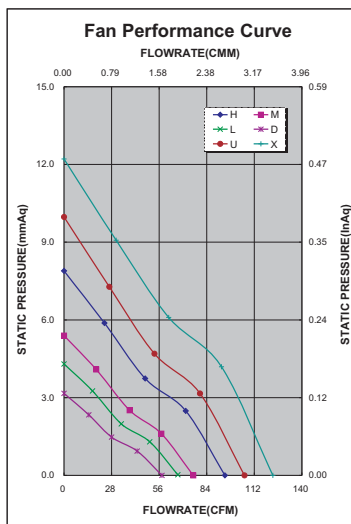
\*Noise is measured at the distance of one (1) meter from the axis of intake.

Bearing type: ○=Ball ※=Sleeve ◯=1B1S ●=Hypro bearing

Frame size (mm)	Model No.	Bearing System Type	Rated Voltage (VDC)	Current (A)	Power (W)	Rated Speed (rpm)	Maximum AirFlow (CMM)	Maximum AirFlow (CFM)	Maximum Pressure (InAq)	Maximum Pressure (mmAq)	*Noise Level (dB/A)	Weight (g)
120x120x25	AG12012DB257100	◎ ※ ●	12	0.12	1.44	1900	1.631	57.662	0.124	3.149	31.10	185.0
	AG12012LB257100	◎ ※ ●	12	0.15	1.80	2200	1.896	67.015	0.169	4.292	34.60	
	AG12012MB257100	◎ ※ ●	12	0.21	2.52	2500	2.153	76.081	0.212	5.384	38.40	
	AG12012HB257100	◎ ※ ●	12	0.30	3.60	3100	2.679	94.689	0.310	7.874	44.80	
	AG12012UB257100	◎ ※ ●	12	0.48	5.76	3600	3.007	106.272	0.392	9.956	49.10	
	AG12012XB257100	◎ ※ ●	12	0.80	9.60	4100	3.478	122.921	0.480	12.192	52.00	
	AG12024DB257100	◎ ※ ●	24	0.07	1.68	1900	1.631	57.662	0.124	3.149	31.10	
	AG12024LB257100	◎ ※ ●	24	0.08	1.92	2200	1.896	67.015	0.169	4.292	34.60	
	AG12024MB257100	◎ ※ ●	24	0.11	2.64	2500	2.153	76.081	0.212	5.384	38.40	
	AG12024HB257100	◎ ※ ●	24	0.16	3.84	3100	2.679	94.689	0.310	7.874	44.80	
	AG12024UB257100	◎ ※ ●	24	0.25	6.00	3600	3.007	106.272	0.392	9.956	49.10	
	AG12024XB257100	◎ ※ ●	24	0.32	7.68	4100	3.478	122.921	0.480	12.192	52.00	
	AG12048LB257100	◎ ※ ●	48	0.05	2.40	2200	1.896	67.015	0.169	4.292	34.60	
	AG12048MB257100	◎ ※ ●	48	0.06	2.88	2500	2.153	76.081	0.212	5.384	38.40	
	AG12048HB257100	◎ ※ ●	48	0.11	5.28	3100	2.679	94.689	0.310	7.874	44.80	
	AG12048UB257100	◎ ※ ●	48	0.14	6.72	3600	3.007	106.272	0.392	9.956	49.10	

Specifications subject to change without notice.

The specification for bearing type is for reference only , for more bearing types information, please contact with your ADDA sales representative, thanks!!  
(網頁上呈現產品軸承資訊均以2Ball為主, 若需其他產品資訊請聯絡您在ADDA的業務代表, 謝謝!!)



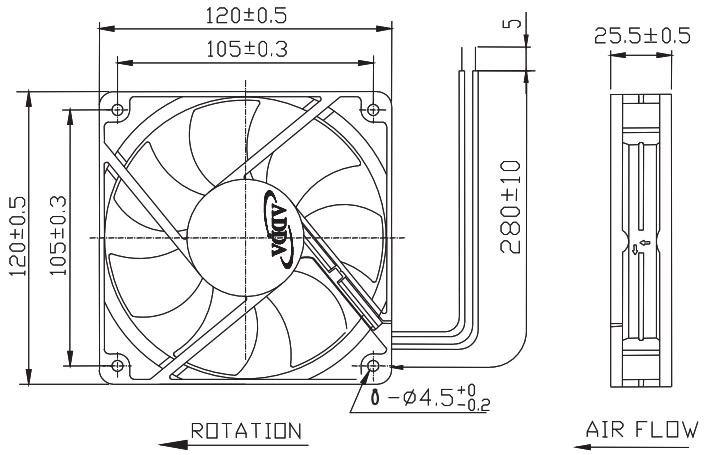
\*Motor protective circuit and third lead wire functions

0	1	2	3	4	6	7	8	9	A	B
	✓	✓	✓					✓		✓

\*Safety approvals

✓	✓		✓	✓

### External Dimensions



Frame:Plastic(UL:94V-0)  
 Impeller:Plastic(UL:94V-0)  
 Lead wire:UL1007AWG24

### Specifications(Nominal)

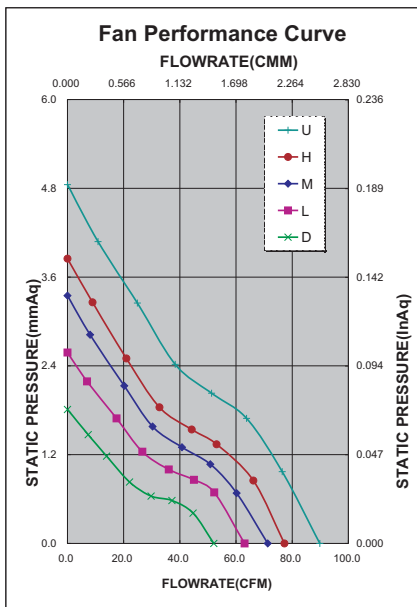
\*Noise is measured at the distance of one (1) meter from the axis of intake.

Bearing type: ○=Ball \*Sleeve○=1B1S●=Hypro bearing

Frame size (mm)	Model No.	Bearing System Type	Rated Voltage (VDC)	Current (A)	Power (W)	Rated Speed (rpm)	Maximum AirFlow (CMM)	Maximum AirFlow (CFM)	Maximum Pressure (InAq)	Maximum Pressure (mmAq)	*Noise Level (dB/A)	Weight (g)
120x120x25	AD12012DB257000	○	12	0.06	0.72	1500	1.473	52.082	0.071	1.803	27.4	
	AD12012LB257000	○	12	0.12	1.44	1800	1.784	63.050	0.102	2.590	33.0	
	AD12012MB257000	○	12	0.15	1.80	2050	2.017	71.302	0.132	3.352	36.3	156.0
	AD12012HB257000	○	12	0.19	2.28	2200	2.185	77.213	0.152	3.860	38.4	
	AD12012UB257000	○	12	0.29	3.48	2500	2.542	89.843	0.191	4.851	41.6	

Specifications subject to change without notice.

The specification for bearing type is for reference only , for more bearing types information, please contact with your ADDA sales representative, thanks!!  
 (網頁上呈現產品軸承資訊均以2Ball為主，若需其他產品資訊請聯絡您在ADDA的業務代表，謝謝！！)



\*Motor protective circuit and third lead wire functions

0	1	2	3	4	6	7	8	9	A	B
✓					✓					

\*Safety approvals

				✓