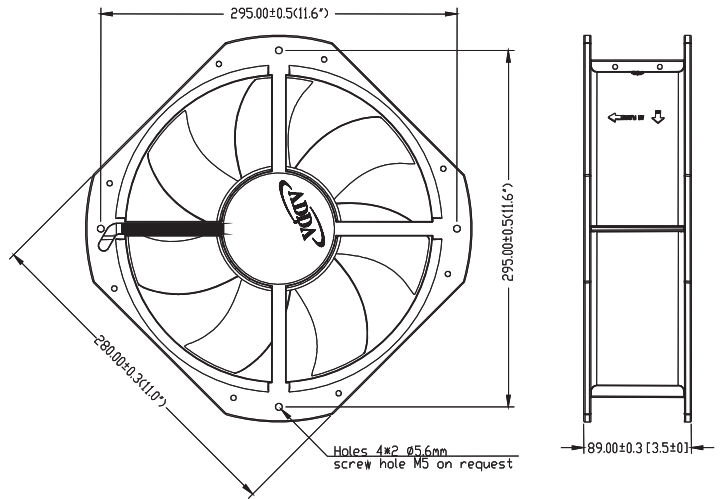




AK28089 SERIES



External Dimensions



Frame: Aluminum Alloy
 Impeller: Plastic (UL:94V-0)
 Motor Structure: Capacitor-Run Induction Motor.
 Motor Protection: Thermal Protect.
 Bearing: Ball bearing
 Lead wire: UL 1430AWG22
 OPERATING TEMP*: -10°C~70°C
 *: -10°C~60°C for fans with sleeve/ball combination bearings.

Specifications(Nominal)

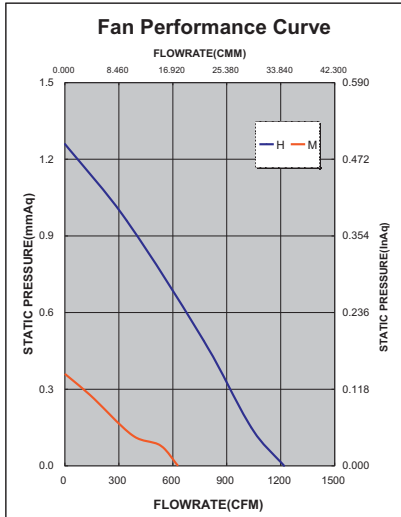
*Noise is measured at the distance of one (1) meter from the axis of intake.

Bearing type: ◎=Ball ※=Sleeve ○=1B1S ●=Hypro bearing

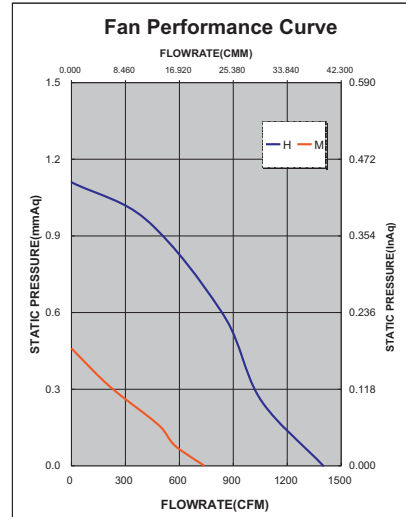
| Frame size (mm) | Model No. | Bearing System Type | Volt. (VAC) | Freq. (Hz) | Current (A) | Power (W) | Rated Speed (rpm) | Maximum AirFlow (CMM) | Maximum AirFlow (CFM) | Maximum Pressure (InAq) | Maximum Pressure (mmAq) | *Noise Level (dB/A) | Weight (g) |
|-----------------|-----------|---------------------|-------------|------------|-------------|---------------|-------------------|-----------------------|-----------------------|-------------------------|-------------------------|---------------------|------------|
| 280x89 | AK2881MB | ◎ | 115 | 50/60 | 0.75/0.66 | 52.70/51.30 | 1450/1700 | 17.687/20.942 | 625.0/740.0 | 0.014/0.018 | 0.360/0.460 | 60.0/62.0 | 3500 |
| | AK2882MB | | 230 | | 0.26/0.27 | 52.10/54.30 | | | | | | | |
| | AK2881HB | ◎ | 115 | 50/60 | 1.80/2.60 | 180.00/260.00 | 2800/3000 | 33.960/39.620 | 1200.0/1400.0 | 0.050/0.044 | 1.260/1.110 | 75.0/78.0 | |
| | AK2882HB | | 230 | | 0.78/1.22 | 177.10/260.00 | | | | | | | |

Specifications subject to change without notice.

50Hz



60Hz



*Safety approvals

| | | | | |
|---|---|--|--|--|
| | | | | |
| ✓ | ✓ | | | |