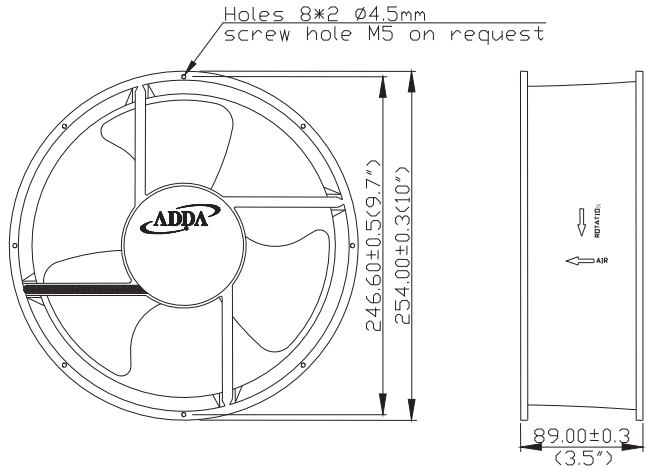




AK25489 SERIES

External Dimensions



Frame: Aluminum Alloy
 Impeller: Plastic (UL:94V-0)
 Motor Structure: Capacitor-Run Induction Motor.
 Motor Protection: Thermal Protect.
 Lead wire: UL 1015 AWG 20
 OPERATING TEMP*: -10°C~70°C
 *: -10°C~60°C for fans with sleeve/ball combination bearings.

Specifications(Nominal)

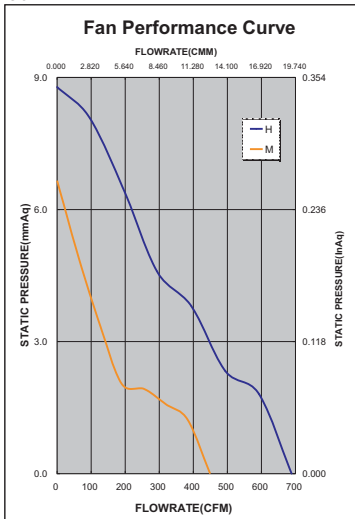
*: Noise is measured at the distance of one (1) meter from the axis of intake.

Bearing type: ⊙=Ball ⊛=Sleeve ○=1B1S ●=Hypro bearing

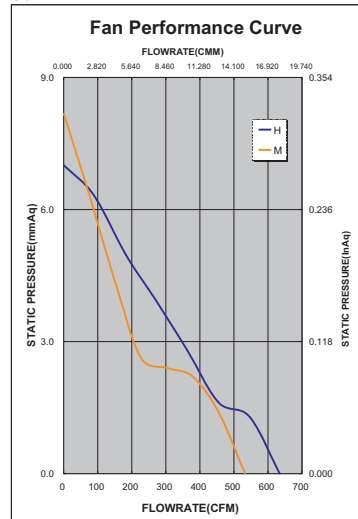
Frame size (mm)	Model No.	Bearing System Type	Volt. (VAC)	Freq. (Hz)	Current (A)	Power (W)	Rated Speed (rpm)	Maximum AirFlow (CMM)	Maximum AirFlow (CFM)	Maximum Pressure (InAq)	Maximum Pressure (mmAq)	*Noise Level (dB/A)	Weight (g)
254x89	AK2581MB	⊙	115	50/60	0.22/0.24	24.20/26.50	1350/1600	12.735/14.999	450.0/530.0	0.262/0.322	6.650/8.190	55.6/57.0	2000
	AK2582MB		230		0.16/0.14	32.20/28.80							
	AK2581HB	⊙	115	50/60	0.55/0.62	56.00/67.80	2100/2000	19.244/17.829	680.0/630.0	0.346/0.276	8.788/7.010	66.0/62.0	
	AK2582HB		230		0.26/0.30	55.40/62.80							

Specifications subject to change without notice.

50Hz



60Hz



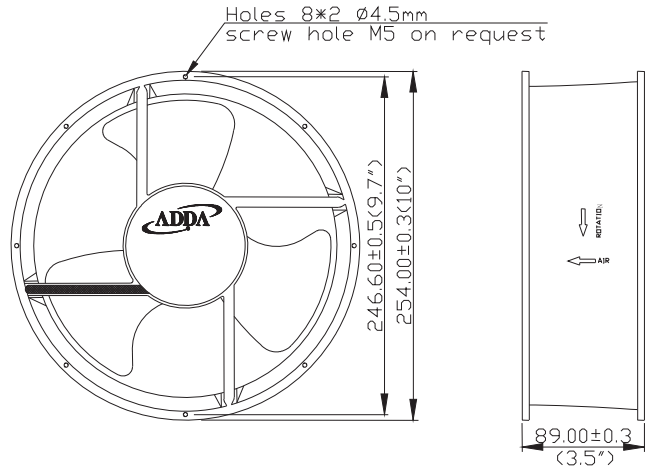
*Safety approvals

✓	✓		✓	✓



AX25489 SERIES

External Dimensions



Frame: Aluminum Alloy
 Impeller: SPT-1 AWG18
 Motor Structure: Capacitor-Run Induction Motor.
 Motor Protection: Thermal Protect.
 Lead wire: UL STP-1 AWG18
 OPERATING TEMP*: -10°C~70°C
 *: -10°C~60°C for fans with sleeve/ball combination bearings.

Specifications(Nominal)

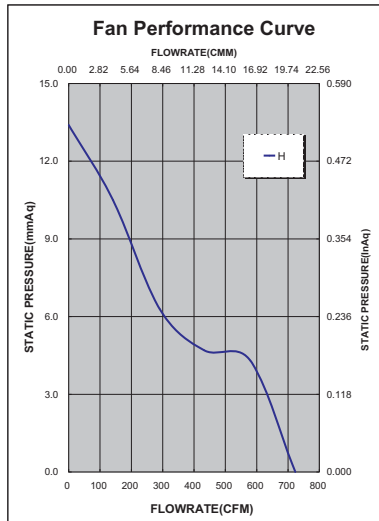
*: Noise is measured at the distance of one (1) meter from the axis of intake.

Bearing type: ◎=Ball ※=Sleeve ○=1B1S ●=Hypro bearing

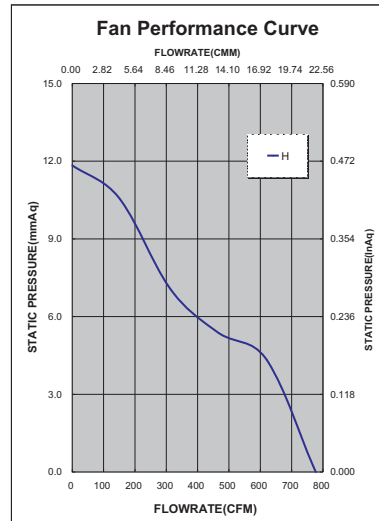
Frame size (mm)	Model No.	Bearing System Type	Volt./Freq. (VAC/Hz)	Current (A)	Power (W)	Rated Speed (rpm)	Maximum AirFlow (CMM)	Maximum AirFlow (CFM)	Maximum Pressure (InAq)	Maximum Pressure (mmAq)	*Noise Level (dB/A)	Weight (g)
254x89	AX25891HB-C	◎	115/50	0.68	78.40	2400	20.376	720.0	0.530	13.462	80.0	2150
			115/60	0.85	98.30	2500	21.225	750.0	0.450	11.430	88.0	
	AX25892HB-C	◎	230/50	0.35	79.60	2400	20.376	720.0	0.530	13.462	80.0	
			230/60	0.42	97.60	2500	21.225	750.0	0.450	11.430	88.0	

Specifications subject to change without notice.

50Hz



60Hz



*Safety approvals
115V

✓	✓			

230V

			✓	✓